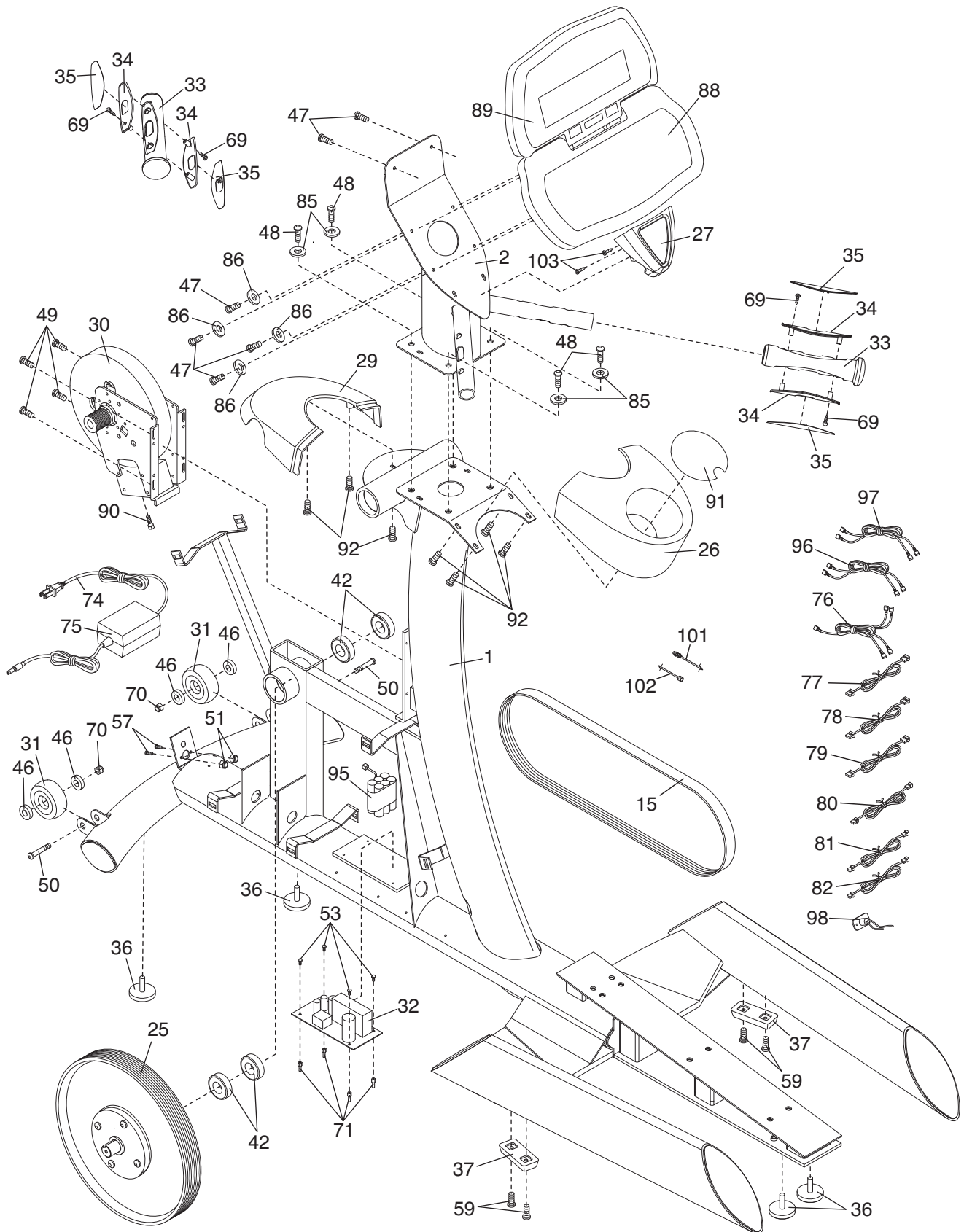


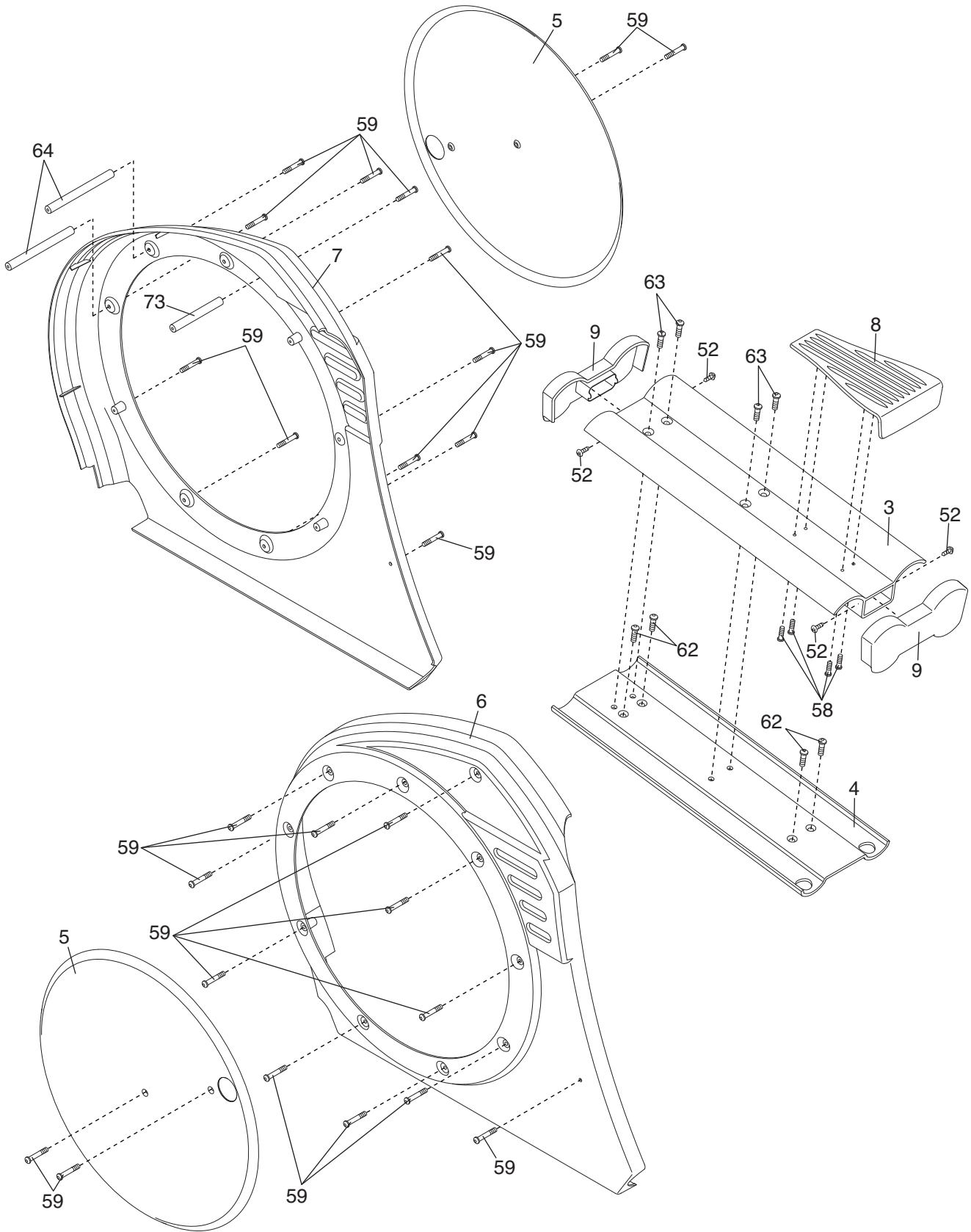
# EXPLODED DRAWING A

R0309A



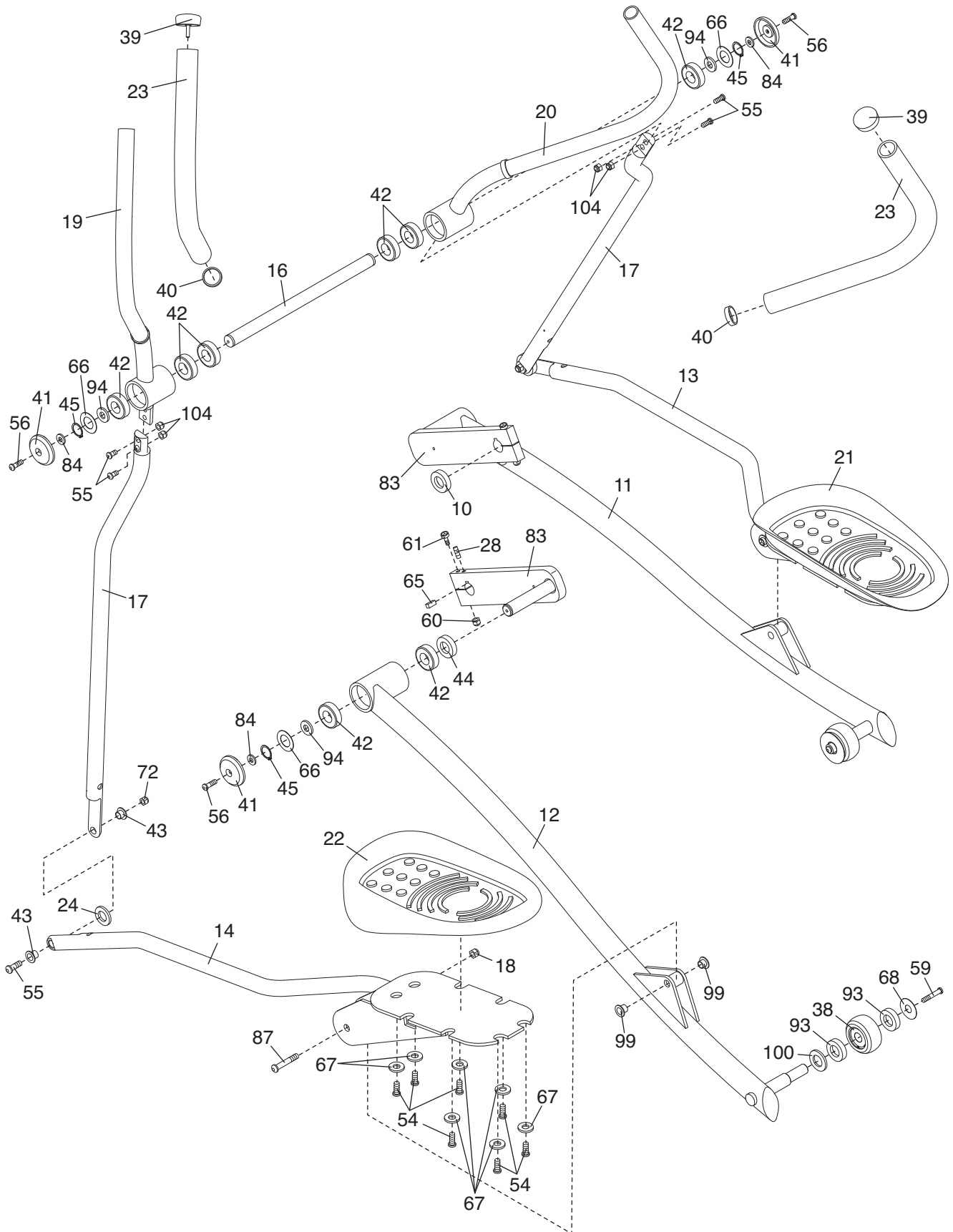
# EXPLODED DRAWING B

R0309A



# EXPLODED DRAWING C

R0309A



Ref#	Description	Qty	Part#	Ref#	Description	Qty	Part#
<u>3</u>	TRACK COVER	1	213224	<u>59</u>	1/4" X 3/4" BTN HD SCRW	32	194352
<u>4</u>	TRACK	1	213132	<u>60</u>	5/16" NYLON LOCKNUT	8	
<u>6</u>	LEFT SIDE SHIELD	1	cc1103	<u>61</u>	5/16" X 3 1/2" CAP SCREW	2	cc1328
<u>7</u>	RIGHT SIDE SHIELD	1	cc1104	<u>62</u>	3/8" X 3/4" COVER SCREW	4	gz1038-02
<u>8</u>	STEP	1	cc1105	<u>63</u>	3/8" X 3" SCREW	4	213704
<u>9</u>	TRACK CAP	2	cc1111	<u>64</u>	LONG SIDE SHIELD SPACER	2	213173
<u>10</u>	CRANK SPACER	1	213238	<u>65</u>	KEY	2	234012
<u>14</u>	LEFT PEDAL	1	cc5025	<u>66</u>	AXLE WASHER	8	gz1050
<u>15</u>	DRIVE BELT	1	cc1323	<u>67</u>	#10 WASHER	14	
<u>16</u>	HANDLEBAR AXEL	1	227662	<u>68</u>	1/4" PEDAL WASHER	2	213720
<u>17</u>	HANDLEBAR LINK ARM	2	cc6038	<u>69</u>	#6 X 1" SCREW	4	123883
<u>18</u>	3/8" FLANGE HEX NUT	2	120867	<u>70</u>	1/2" NYLON LOCKNUT	2	012081
<u>19</u>	LEFT HANDLEBAR	1	cc5029	<u>71</u>	STANDOFF	4	194325
<u>20</u>	RIGHT HANDLEBAR	1	cc5028	<u>72</u>	3/8" NYLON LOCKNUT	2	012108
<u>21</u>	RIGHT PEDAL COVER	1	cc1182	<u>73</u>	SHORT SIDE SHIELD SPACER	1	
<u>22</u>	LEFT PEDAL COVER	1	cc1183	<u>76</u>	PULSE JUMPER WIRE	1	213689
<u>23</u>	HANDLEBAR FOAM	2	213679	<u>77</u>	LOWER BATTERY WIRE	1	213692
<u>24</u>	HANDLEBAR SPACER	2		<u>78</u>	UPPER BATTERY WIRE	1	213693
<u>25</u>	PULLEY	1	224064	<u>79</u>	UPPER CONTROLLER WIRE	1	213694
<u>26</u>	WATER BOTTLE HOLDER	1	cc1107	<u>80</u>	LOWER CONTROLLER WIRE	1	213686
<u>27</u>	UPRIGHT CAP	1	cc1106	<u>81</u>	GENERATOR COIL WIRE	1	194327
<u>28</u>	SET SCREW	2		<u>82</u>	ELECTROMAGNET WIRE	1	194326
<u>29</u>	UPRIGHT COVER	1	cc1108	<u>84</u>	1/4" FLAT WASHER	4	
<u>30</u>	GENERATOR	1	213685	<u>85</u>	3/8" STAR WASHER	4	104478
<u>31</u>	WHEEL	2		<u>86</u>	#10 STAR WASHER	4	
<u>32</u>	CONTROL BOARD	1		<u>87</u>	3/8" X 2 3/4" SHLDR BOLT	2	
<u>33</u>	PULSE GRIP	2	cc1069	<u>88</u>	CONTROL CONSOLE	1	cc2162
<u>34</u>	GRIP INSERT	4	cc3105	<u>89</u>	MATRIX DISPLAY	1	cc2163
<u>35</u>	CONTACT	4	172459	<u>91</u>	BOTTLE HOLDER FOAM	1	cc1115
<u>36</u>	LEVELING FOOT	4	213672	<u>92</u>	#8 X 1/2" BTN HD SCREW	7	192721
<u>37</u>	FOOT	2	169068	<u>93</u>	WHEEL SPACER	4	219087
<u>38</u>	PEDAL WHEEL	2	213196	<u>94</u>	WAVE WASHER	4	gz1049
<u>39</u>	HANDLEBAR CAP	2	cc1109	<u>95</u>	BATTERY PACK	1	213688
<u>40</u>	HANDLEBAR RING	2	gz1491	<u>98</u>	POWER INPUT WIRE	1	194142
<u>41</u>	AXLE CAP	4	213126	<u>100</u>	NYLON WASHER	4	gz1088
<u>43</u>	HANDLEBAR BUSHING	8		<u>101</u>	UPPER CATV CABLE	1	168298
<u>44</u>	SPACER	2	213151	<u>102</u>	LOWER CATV CABLE	1	158987
<u>45</u>	SNAP RING	4	gz1018-07	<u>103</u>	#8 X 3/8" SCREW	2	183824
<u>46</u>	WHEEL BEARING	4	213433	<u>104</u>	3/8" NYLON JAMNUT	4	133945

<b>47</b>	<u>#10 X 1" CONSOLE SCREW</u>	6	149528	<b>#</b>	<u>7/32" HEX KEY</u>	1	045017
<b>48</b>	<u>3/8 X 1 1/4" BTN HD SCRW</u>	4	138289	<b>#</b>	<u>#10-1/2" SCREW</u>	11	013088
<b>49</b>	<u>1/4 X 3/8" CAP SCREW</u>	4	192777	<b>#</b>	<u>DECAL, IFIT STATIC</u>	1	172257
<b>50</b>	<u>1/2" X 2" BTN HD SCRW</u>	2	213715	<b>#</b>	<u>3/32" HEX KEY</u>	1	219395
<b>51</b>	<u>#4 NYLON LOCKNUT</u>	2	012135	<b>#</b>	<u>CSAFE BOARD</u>	1	185177
<b>52</b>	<u>#8 X 3/4" SCREW</u>	4	104626	<b>#</b>	<u>BOOKRACK (TV ONLY)</u>	2	cc1112
<b>53</b>	<u>#8 X 1/4" NYLON SCREW</u>	4	194747	<b>#</b>	<u>AUDIO JACK</u>	1	cc1113
<b>54</b>	<u>#10 X 3/8" PEDAL SCREW</u>	14	217340	<b>#</b>	<u>AUDIO PLUG (TV ONLY)</u>	1	cc1114
<b>55</b>	<u>3/8" X 5/8" SHLDR SCREW</u>	4	213697	<b>#</b>	<u>USER'S MANUAL</u>	1	cc7147
<b>56</b>	<u>1/4" X 3/4" AXLE SCREW</u>	4	192770	<b>#</b>	<u>HEART RATE BOARD</u>	1	cc2063
<b>57</b>	<u>#4 X 1/2" SCREW</u>	2	192775	<b>#</b>	<u>TV ASSY (TV ONLY)</u>	1	cc9039
<b>58</b>	<u>#10 X 3/4" SCREW</u>	4	cc1032				

**Please note: The quantity listed is the total number of that part used on the model. Please order the quantity you need - the quantity can be changed in the shopping cart.**

If the part you need is not listed above, please [contact](#) our Customer Service department.

© 2009 ICON Health & Fitness, Inc.